

HB71B/HB71S

STANDARD RESOLUTION DAY/NIGHT BULLET CAMERA WITH INFRARED ILLUMINATORS

The Performance Series rounds out Honeywell's camera portfolio with a variety of indoor, outdoor and low light cameras that lets end users pick the perfect camera for virtually any installation. Perfect for a diverse range of applications, the Performance Series includes a wide range of high performing IR bullet cameras and mini-domes that are easy to install and even easier to use.

The HB71B/S IR bullet-style cameras come standard with IR illumination, making them perfect for 24/7 surveillance. When the ambient light drops below a user-defined threshold, the IR LEDs activate and the camera changes automatically from color to black and white, capturing perfect color pictures by day and clear black and white images at night.

The 6.0 mm lens offers a wide field of view to complement the 34 IR LEDs that can illuminate up to 90 feet, depending on scene reflectance. The 380 TVL sensor provides clean images in day and night conditions.

The HB71B/S cameras install easily and quickly. They come standard with a two-conductor pigtail that connects to the barrel connector so there is no need to cut wires during installation. The mounting bracket installs quickly and securely with three screws on walls or ceilings, indoors or out.

Market Opportunities

The HB71B/S is a cost effective surveillance solution for applications that experience changing light conditions throughout the day and require extra illumination at night. The HB71B/W offers a simple yet solid design that provides optimum performance for both indoor and outdoor applications including lobbies, atriums, vestibules, gated entrances, foyers, loading docks and driveways.

Features

- Discreet, bullet-style camera with 34 IR LEDs
- Weatherproof housing with IP 65 rating
- 6.0 mm lens
- Standard resolution color: 380 TVL - 1/3" Sony Super HAD CCD
- IR LED visible range of 90 ft. (34m)
- Easy to install mounting bracket reduces installation time
- Two-conductor pigtail is standard for connection to barrel connector
- Equalization valve prevents vacuum effect caused by sudden changes in barometric pressure
- Available in two housing colors – dark gray and silver



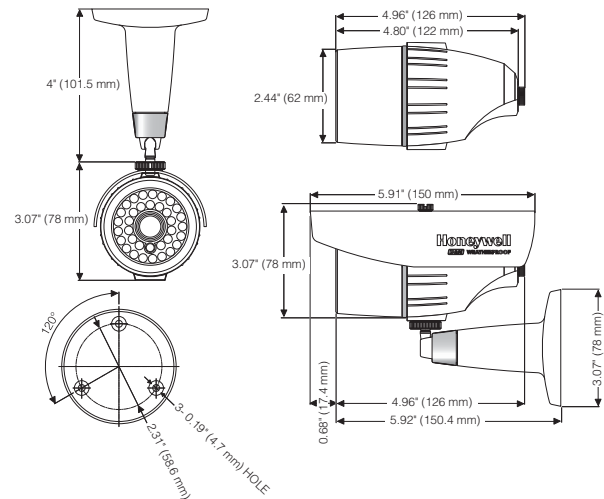
HB71B/HB71S

www.honeywellvideo.com

SPECIFICATIONS

Operational	
Video Standard	NTSC, PAL
Scanning System	525/60 lines (NTSC) 625/50 lines (PAL)
Image Sensor	1/3" Sony HAD CCD sensor
Number of Pixels (H x V)	HB71: 537x505 (NTSC) HB71X: 537x597 (PAL)
Minimum Illumination	0.1 lux day/0 lux night, operates in complete darkness
Horizontal Resolution	380 TVL
Video Output	1.0 Vp-p @ 75 Ohms
Sync System	Internal
S/N Ratio	50 dB or more (AGC off)
Auto Gain Control	Off/On
Automatic Electronic Shutter	1/60-1/100,000 sec (NTSC) 1/50-1/100,000 sec (PAL)
Lens Type	6.0 mm
Horizontal Field of View	43.6°
White Balance	Auto
Gamma	0.45
IR LEDs	850 nm, 34 LEDs
IR Illumination Distance (dependant on scene reflectance)	90 ft (27m)
Electrical	
Input Voltage	12 VDC
Input Range	10 VDC - 15 VDC
Power Consumption	3.6 W (max) with IR LEDs on
Mechanical	
Dimensions	See Diagrams
Weight	1.3 lb (0.6 kg)
Construction	Finish: Brushed and anodized aluminum with sunshield
Color	HB71B - Dark Gray HB71S - Silver
Connector	Main Video Output: BNC connector Power Input: 10 VDC - 15 VDC

Environmental	
Temperature	Operating: 14°F to 113°F (-10°C to 45°C) Storage: -4°F to 149°F (-20°C to 65°C)
Rating	IP65
Regulatory	
Emissions	FCC, CE: EN 55022 Class A
Immunity	CE: EN 50130-4
Safety	EU: EN 60065
Accessories	
Power Supplies	
HPT12DC500	12 VAC/500 mA Plug-in Regulated 2.1 mm Coaxial Plug UL Listed/CSA Certified



Ordering	
HB71B	1/3" CCD Standard Resolution IR Bullet Camera, 380 TVL, 6.0 mm, 34 IR LED, Dark Gray, NTSC
HB71S	1/3" CCD Standard Resolution IR Bullet Camera, 380 TVL, 6.0 mm, 34 IR LED, Silver, NTSC
HB71BX	1/3" CCD Standard Resolution IR Bullet Camera, 380 TVL, 6.0 mm, 34 IR LED, Dark Gray, PAL
HB71SX	1/3" CCD Standard Resolution IR Bullet Camera, 380 TVL, 6.0 mm, 34 IR LED, Silver, PAL

For more information:
www.honeywellvideo.com

Honeywell Security Group
Honeywell
2700 Blankenbaker Pkwy, Suite 150
Louisville, KY 40299
1.800.796.CCTV (2288)
www.honeywell.com

L/HB71D/D
March 2010
© 2010 Honeywell International Inc.

Honeywell