

## HMM9

### 9-INCH MONOCHROME MONITOR

The Honeywell HMM9 is a compact, high quality 9-inch monochrome monitor. The monitor features a sturdy housing and delivers sharp images with over 1000 TV lines of resolution. Unlike conventional monitors, it has convenient recessed front panel controls making it easy to setup and adjust, while restricting movement caused by accidental contact.

Installers can easily switch between EIA and CCIR video formats. An illuminated green LED beside the power button confirms that power is being supplied to the monitor. The monitor features a latching power switch which remains in its set position – either On or Off – eliminating the need to turn the monitor back on in the event of a power loss.

The HMM9 has a composite BNC connector with looping output. The BNC connectors are auto terminating, eliminating the need for installers to set termination switches when using for loop-through video.

#### Market Opportunities

The HMM9 has an optimal viewing distance of three feet or less from the operator's eyes and is ideal for video surveillance applications where single camera viewing on dedicated monitors is a requirement. Additionally, the monitor is great for security installations with minimal space and can be placed on a desktop or conveniently rack mounted – using the optional single rack mount kit (HMM9RK1), or two across in a standard 19" rack using the optional rack mount kit (HMM9RK2).

#### Features

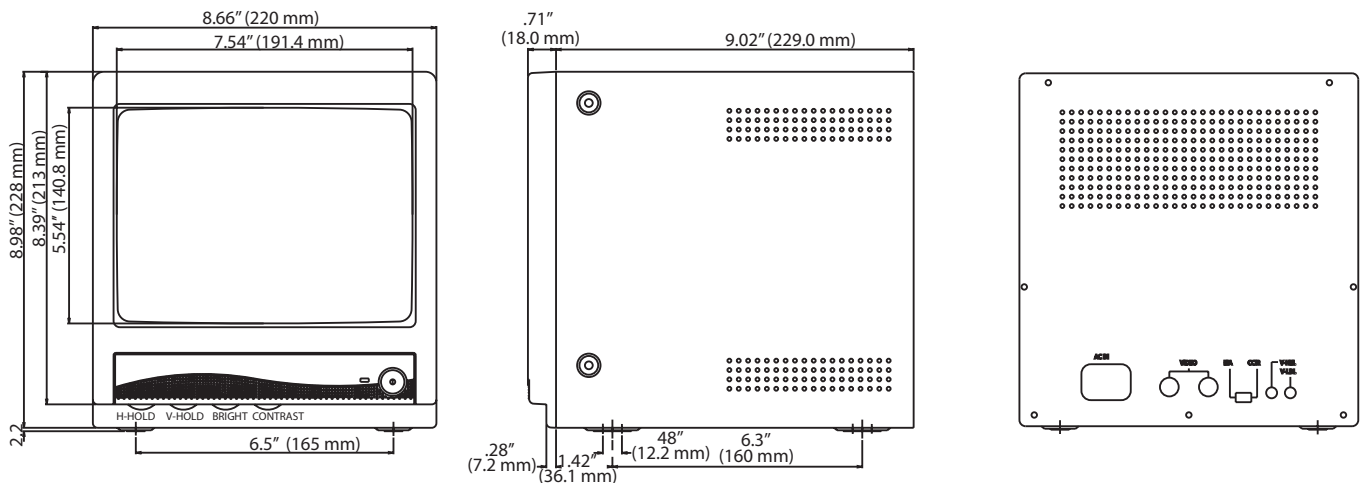
- >1000 TVL (at center)
- Convenient recessed front panel controls
- Heavy-duty metal cabinet
- EIA or CCIR selectable
- Video loop-through with automatic termination
- Latching power switch
- Single or dual rack mountable



## SPECIFICATIONS

Video	
Video Standard	EIA/CCIR
Input Signal Video/PC	1Vp-p @ 75 Ohms
Deflection	90° angle
Bandwidth	10 MHz
Resolution	>1000 TV lines (at center)
Horizontal Scanning Frequency	EIA: 15.734 kHz CCIR: 15.625 kHz
Vertical Scanning Frequency	EIA: 59.94 Hz CCIR: 50 Hz
Over/Under Scan	Horizontal: 6.0 ± 2 % over scanning Vertical: 8.0 ± 2 % over scanning
Linearity	Horizontal: 10% maximum Vertical: 10% maximum
Front Panel Controls	•H-Hold •V-Hold •Bright •Contrast •Power LED • Power Switch
Back Panel Controls	•V-linearity •V-height •EIA/CCIR selector switch
Electrical	
Operating Voltage	90 to 264 VAC, 60 Hz/50 Hz
Power Consumption	22 W (Maximum)
Power Cable	NEMA 5-15P, UL IEC 320 type connector

Mechanical	
Dimensions (W x H x D)	8.66" x 9.72" x 9.21" (220 mm x 247 mm x 234 mm)
Viewable Picture Area	.31 x .23 sq in 198.4 x 149.2 sq mm
Weight	9.5 lbs (4.3 kg)
Construction	Housing: Steel Finish: Black
Video Inputs	2 x BNC (auto-terminating)
Video Outputs	2 x BNC (auto-terminating)
Environmental	
Temperature	Operating: 32° F to 104° F 0° C to 40° C Storage: 14° F to 124° F -10° C to 50° C
Relative Humidity	10% to 90% (non-condensing)
Regulatory	
Emissions	FCC: Part 15, Class B Canada ICES-003
Immunity	CE: EN 50130-4
Safety	UL: UL1950, cUL: CSA C22.2 No. 950 DHHS Rules 21
Accessories	
HMM9RK1	Single rack mount kit, black
HMM9RK2	Dual rack mount kit, black



Ordering	
HMM9	9 inch Monochrome Monitor (black cabinet)

**NOTE:** Honeywell reserves the right, without notification, to make changes in product design or specifications.

### Honeywell Security

Honeywell Video Systems  
2700 Blankenbaker Pkwy, Suite 150  
Louisville, KY 40299  
1.800.796.CCTV  
www.honeywell.com

L/HMM9D/D  
July 2007  
© 2007 Honeywell International Inc.