

RAPID EYE™ LT v9

www.honeywellvideo.com

4 AND 8 CHANNEL, 120/100 IPS DIGITAL VIDEO RECORDER (DVR) SYSTEM

The Rapid Eye™ LT 4 and 8-channel DVR is designed for effective remote access, even over limited bandwidth. The fast and responsive network connection allows instant access to critical site information as you need it.

Rapid Eye can record, search and transmit video, audio and data transactions while simultaneously providing users with both live monitoring and post-event playback operation.

Rapid Eye LT is fully integrated with the Honeywell suite of security products: MAXPRO® VMS, access control and intrusion. From standalone remote systems to fully integrated enterprise solutions, Rapid Eye is effective in a wide range of security installations.

Rapid Eye uses a Linux-based operating system that is extremely secure, stable and reliable. Standard storage capacities range from 500 GB to 1 TB.

The Rapid Clip feature makes remote clip generation to a USB device or the internal DVD-RW fast and easy.

Rapid Eye™ Report keeps you in constant contact with your customer to provide customized health and business reporting across the entire system, ensuring that nothing is missed.

The Rapid Eye LT v9 system provides unsurpassed performance in a small, powerful and economical configuration.

Market Opportunities

The Rapid Eye LT v9 seamlessly integrates with Honeywell's WIN-PAK® SE, WIN-PAK PE, NetAXS™ and Pro-Watch® access control software platforms as well as MAXPRO VMS, making it easy to deploy, scalable and powerful. For retail markets, its built-in data capture capability makes it extremely useful as a loss prevention analysis tool. Rapid Eye is also PCI compliant and certified for use in data capture environments. Whether the market is commercial, industrial, municipal, financial, or retail, when the need includes remote video surveillance requiring 4 or 8 channels, the solution is Rapid Eye LT v9.

Features

Hardware

- 4 or 8 looping video inputs
- Real-time recording rates at CIF resolution: 120/100 global (NTSC/PAL)
- Up to 4CIF recording and/or viewing resolution
- Storage capacity of 500 GB or 1 TB
- Optional DVD-RW drive for clip generation and easy software upgrades
- Dual audio channels (Bi-directional and VoIP)
- Public Display Mode
 - Multiplexed using composite video output
 - Switching using spot monitor output
- 4 or 8 alarm inputs, 4 control outputs
- 2 RS232 serial ports (DB9/DE9) for POS data capture and external modem
- 2 RS485 serial ports (RJ45) for PTZ control
- LINUX – secure, stable, multi-tasking real-time OS running on a solid state hard drive

Software

- Resolutions: selectable per camera
 - Independently for live display and recording
- Event-driven response recording
- Enhanced PTZ control and configuration
- Expanded POS capability for up to four devices
- Hierarchical site tree – group by region, location, etc.
- Network Address Translation (NAT)
 - TCP/IP port forwarding
 - Multiple units share an IP address
- DHCP (requires DHCP server and WINS/DNS services)
- SNTP client automatically synchronizes to SNTP servers
- RapidSearch™ for video evidence by events, data, motion or alarm
- IntelliBus™ protocol support



FEATURES

The system consists of three major components:

- **Digital Video Recorder** featuring real-time recording at CIF resolution and **LocalView** interface
- **ADMIN Software**, the workstation/server-based administration tool capable of enterprise-wide site and user management
- **VIEW Software**, a feature-rich, workstation-based remote operator program

The combination of ADMIN and VIEW software with the powerful DVR truly differentiates the Rapid Eye system from the competition.

LocalView

- Real-time live video – display a single camera or all 4 or 8 cameras simultaneously
- PTZ control – Vector driven within a video stream or full featured with a PTZ controller
- Interactive user-controllable accelerated recording rates (boosted recording)
- Ability to switch the language on user logon to a preset language
- Public Display mode provides a simple cost-effective solution for public view monitoring
- Review recorded video, audio and data
- Easy creation of evidence clips using the Rapid Clip tab to export clips to a DVD, CD, and/or USB memory dongle
- Review evidence clips using the Clip Player tab
- Easily define basic system and camera configurations using the System tab
- Multiple levels of password protected user access and control

ADMIN Software

- HRM9ADMIN (single license included with DVR, can also be ordered separately)
- Capable of enterprise-wide site, user, tour and alarm station management
 - Windows®-based administration software has a user-friendly GUI to create the Rapid Eye database
 - Can be hosted on a network server using common networked database protocols such as Access, SQL or MSDE
 - Makes controlling and administering a multi-site, multi-user, enterprise wide system fast, easy and secure

VIEW Software

- HRM9VIEW (single license included with DVR, can also be ordered separately)
- Feature rich Windows®-based operator software has a user-friendly GUI for complete remote operations and configuration of one or many different DVRs simultaneously
 - Observe and monitor live or recorded video, audio and data from any DVR listed in the Site tab. Connect to multiple sites simultaneously using multiple methods from the same or multiple workstations
 - Connect to the same DVR site using multiple connection methods
 - Supports LAN/WAN networks and dial-up connections with TCP/IP protocol
 - Control multiple PTZ cameras, monitor two independent 2-way audio channels, monitor up to 16 streams of POS, ATM and/or alarm panel generated data, configure 4/8 alarm inputs and control four auxiliary outputs – all from within a single VIEW session

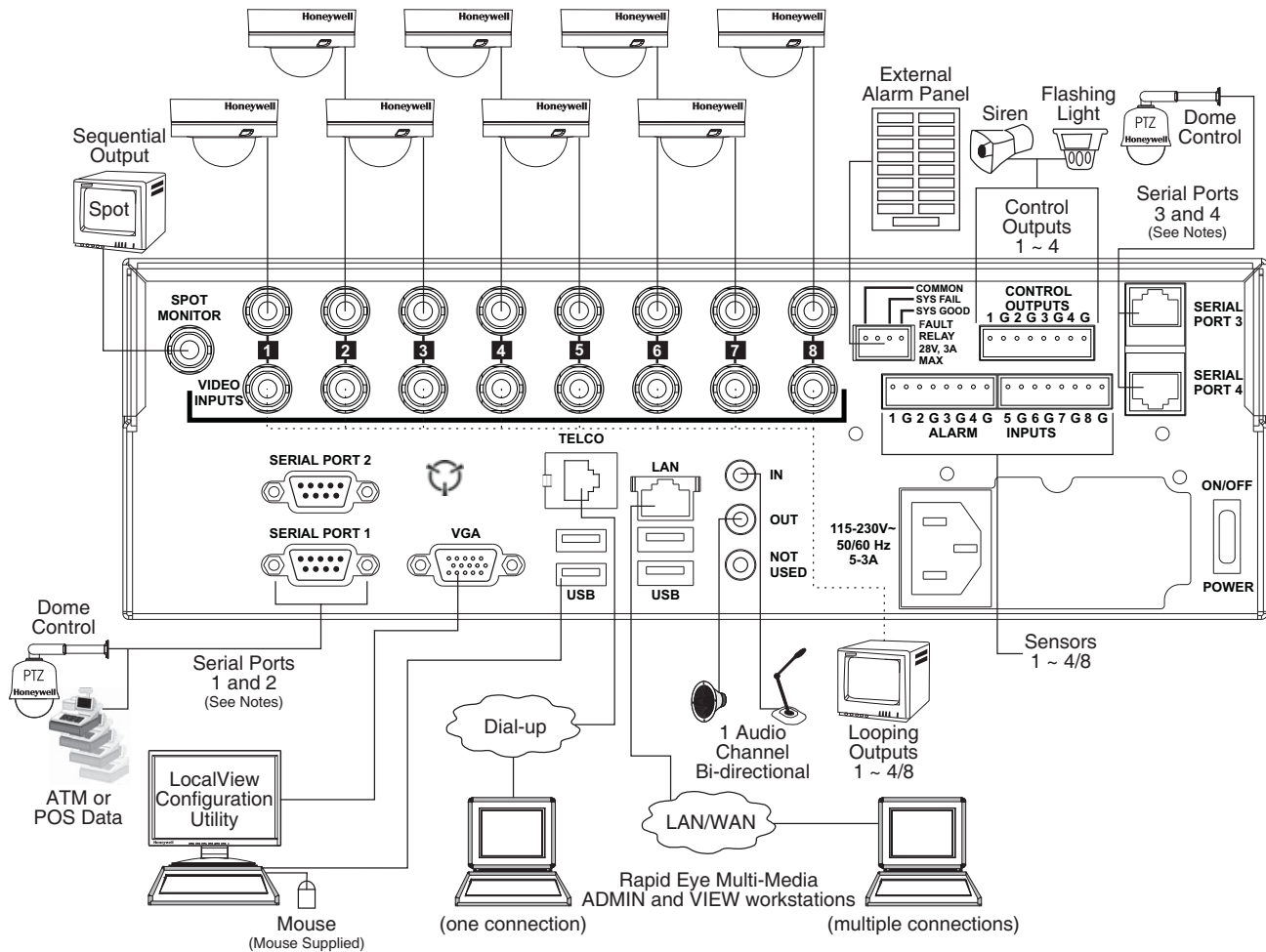
ADMIN and VIEW Workstation Minimum Requirements

- IBM-compatible PC
- Windows® 7, Windows® XP or Windows® 2000
- 1 GHz Dual Core
- 2 GB RAM
- 200 MB of free hard disk space, plus adequate storage for video clips
- CD-ROM (for software installation and upgrades)
- Video card(s) and monitor(s) that support XGA mode 1280 x 1024 or SVGA mode 800 x 600 (minimum)
- Mouse or other compatible pointing device

RAPID EYE™ LT v9

SYSTEM DIAGRAM

8-CHANNEL UNIT SHOWN



SYSTEM DIAGRAM NOTES

Serial Ports 1 and 2:
DB9/DE9 (M) RS232 only; used for data capture, external modem or PTZ control with an additional code conversion device

Serial Ports 3 and 4:
RJ-45 RS485; used for PTZ control

SPECIFICATIONS

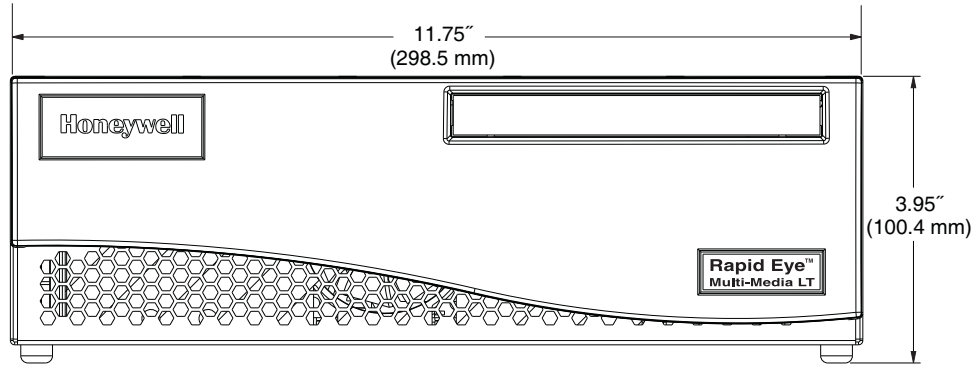
Rapid Eye VIEW Software	
Site Connections per PC	64 sites
Video Streams per PC	1024 streams
Sessions Maximum per DVR	Live Video (all users) 32 streams
Users Viewing Live Video (and activating outputs)	10 sessions
Users Retrieving Video	10 sessions
Users Accessing Events	10 sessions
Users Accessing Alarms	10 sessions
Users Accessing Maintenance	1 session
DVR Unit	
Video Standard	NTSC/EIA or PAL/CCIR
Video Format	160 x 120, 320 x 240, 640 x 240, 640 x 480, 704 x 480 (NTSC) 192 x 144, 384 x 288, 704 x 288, 704 x 576 (PAL)
Colors	24-bit true color
Recording and Transmission Compression Algorithm	Modified H.261/263 (REM proprietary)
Record Mode	(FIFO) Continuous buffer
Recording Capacity	500 GB or 1 TB
Recording Rate (ips)	120/100 CIF global (NTSC/PAL)
Video Quality Settings	6-10 (low-high)
Video Motion Detection	Configurable to sense mass and motion within multiple regions of interest
Video Motion Search	Configurable post-event motion search within multiple regions of interest
POS/ATM or Alarm Data	16 POS streams and 4/8 alarm data (4 POS devices)
Event Recording and Reporting	Session, System, Inputs, Outputs, Video, Motion and POS/ATM data
Mass Storage	1 hard drive
Removable Media	Factory installed DVD-RW (optional)
Front Panel Control and Display Module (lockable front panel)	Power Switch, 3 Status LEDs 2 x 16 Status LCD
SNTP Client	Synchronize DVR to SNTP servers
DHCP Enabled	Network support for DHCP, WINS or DNS name servers
TCP/IP Port Forwarding	Multiple DVRs share same IP Address
USB 2.0 Ports	4 ports on the rear panel
PTZ Dome Control	
Local	Mouse control and configuration
Remote	Mouse control and configuration
Protocols Support	7 major protocols, Over 50 using Bossware (requires additional hardware)

Rear Panel Connections	
Video Input	4 or 8 – Looping, BNC 1.0 – Vp-p @ 75 Ohms
Video Output	1 – Spot (mux) or switcher, BNC 1.0 – Vp-p @ 75 Ohms
Audio Input/Output	2 – Line level, 3.5 mm jack
Alarm/Control Inputs General Purpose	4 or 8 – TTL level dry contacts User-configurable NO, NC, EOL 3.5 mm terminal block
General Purpose Control Outputs	4 – TTL or 12V open collector TTL @ +15 mA / -100 mA 12V @ -100 mA current sink 3.5 mm terminal block
Fault Relay	DPDT Form C relay 28 V, 3 A
Serial Ports	2 – RS232 DB9 (M) 2 – RS485 RJ45
Modem/Telco	V.90 multi-protocol Standard RJ-11 Interface (North America only)
Networking	10/100 base T Ethernet, Standard RJ45 Interface
VGA Output	1024 x 768 monitor LocalView Interface
AC Power	100-240 VAC 50/60 Hz IEC-320 connector Regional power cord included
Electrical	
Input Voltage	115-240 VAC, 60-50 Hz
Operating Voltage	115V/230V Auto-sensing
Power Consumption	220 W (maximum)
Mechanical	
Dimensions (W x H x D)	11.75" x 3.95" x 11.12" (298 mm x 100 mm x 282 mm)
Weight	Unit: 18.0 lb (8.2 kg) Shipping: 20.0 lb (9.1 kg)
Construction	Housing: Steel chassis Finish: Black matte paint
Environmental	
Temperature	Operating: 40°F to 104°F (5°C to 40°C) Storage: 14°F to 150°F (-10°C to 65°C) EN 50130-5 Environmental Class 1
Relative Humidity	Operating: 0%-90%, non-condensing
Regulatory	
Emissions	FCC: Part 15, Class A CE: EN 61000-3-2:2006 + A2:2009 CE: EN 61000-3-3:2008
Immunity	CE: EN 50130-4:1995 + A1:1998 + A2:2002, Alarm/security immunity
Safety U.S. and Canada International	ETL Listed to UL 60950-1 / CSA C22.2 No. 60950-1 CE report: IEC 60950-1:2005
PCI Compliance	Certified by Coalfire Systems Inc. 2010
Country of Origin	Product of the USA

RAPID EYE™ LT v9

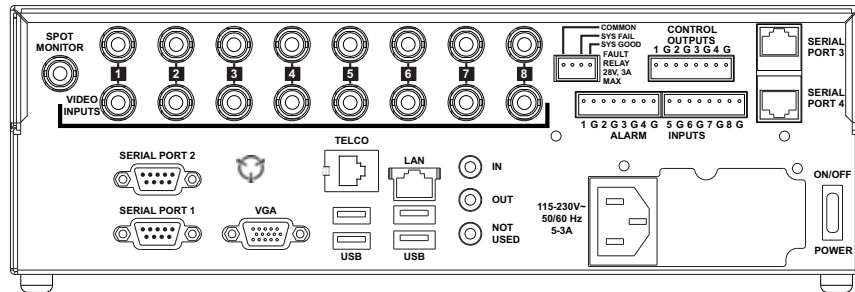
SYSTEM DIMENSIONS

Front View

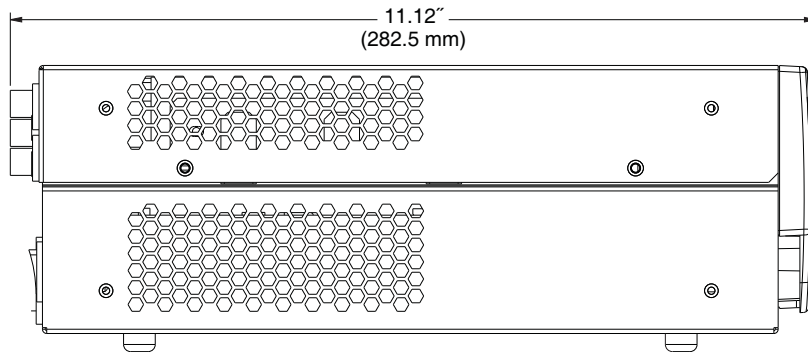


Back View

Note: 8-Channel model shown



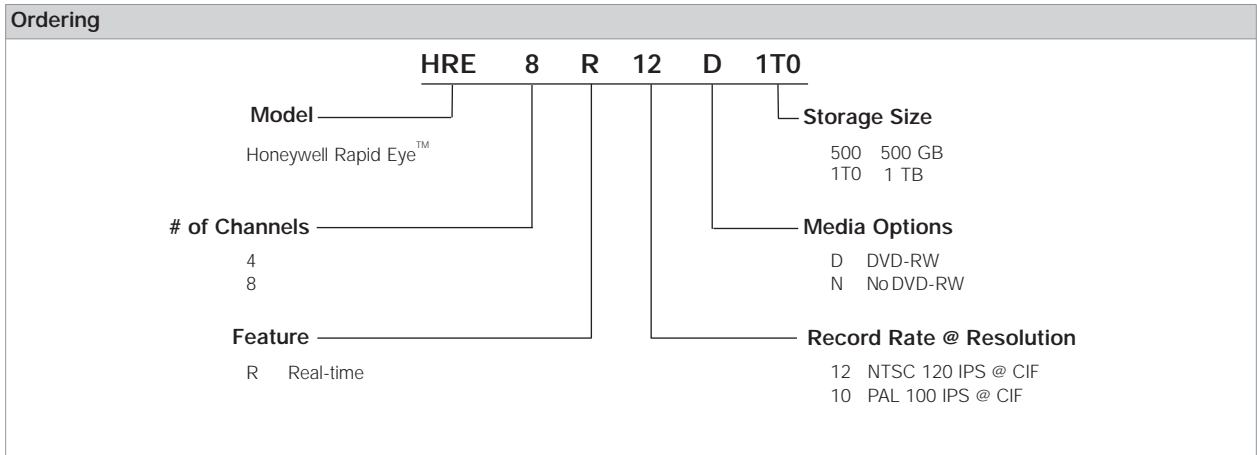
Side View



ACCESSORIES AND ORDERING

Software Part Numbers	
HRM9ONEADM (included)	One ADMIN software CD and user manual
HRM9ADMIN	ADMIN & VIEW software CD and user manuals
HRM9VIEW	VIEW software CD & user manuals
HRM9CLIP	Rapid Eye Clip Player for Windows software CD
HRM9UPADMIN	Upgrade ADMIN & VIEW software CD and user manuals

Recommended Accessories	
HCSP1	Surge protector, video/24 VAC
HDSP1	Surge protector, data/video/24 VAC
AAC232/485	Code converter RS232 to RS485
HDCD8TP	Code distribution unit, 8-port twisted pair RS232 to RS485
HVBPIT4POS	Four to one serial protocol interface translator POS or alarm panel data
HASMPIT	SmartPIT™, POS/ECR or ATM text inserter and PTZ protocol translator, compatible with NTSC or PAL video formats
HJC5000	PTZ Controller/UltraKey Lite Keyboard



NOTE: Honeywell reserves the right, without notification, to make changes in product design or specifications.

Automation and Control Solutions

Honeywell Systems
 2700 Blankenbaker Pkwy, Suite 150
 Louisville, KY 40299
 1.800.796.2288
 www.honeywell.com

L/RELTv9D/D
 March 2011
 © 2011 Honeywell International Inc.

