

Performance Series HQA HD73HD1 720p Indoor/Outdoor IR Mini Dome Camera

Quick Installation Guide

Document 800-19475V1 – Rev B – 05/2016

Thank you for purchasing a Honeywell Performance Series HQA HD73HD1 camera. Follow the instructions in this guide to install and set up your camera.

Cautions and Warnings

⚠ WARNING This device is configured for 12 V DC operation. Do not connect to a higher voltage. Use only with NRTL-approved Class 2 power supplies.

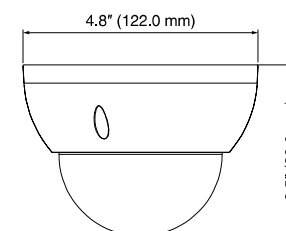
⚠ WARNING IR emitted from this product. Do not view directly with optical instruments. Do not stare directly into the lamp at a distance of less than 3.3 ft (1 m).

CAUTION Class 1 LED product. Invisible LED radiation (850 nm). Avoid exposure to beam.

Important Safeguards

- Read and keep these instructions.
- Do not aim the camera toward a bright light source for extended periods to prevent damage to the imager.
- Avoid operating the unit under or close to unstable light sources or close to fluorescent lamps or objects reflecting light.
- Do not touch the camera lens.
- Do not drop the camera or subject it to physical shock.
- Do not use a strong or abrasive detergent when cleaning the camera.
- Avoid operating or storing the unit in extremely humid, dusty, or environments where the operating temperature is outside the recommended range of -22°F to 140°F (-30°C to 60°C).

Dimensions



Before You Begin

Before you begin, check that you have received all of the parts listed below. If any parts are missing or damaged, contact your dealer immediately.

- Camera
- Quick Installation Guide
- Mounting template sticker
- Allen key (L-wrench)
- Self-tapping screws (4)
- Plastic anchors (4)
- Power pigtail

Tools needed (not supplied):

- Cordless drill
- Phillips screwdriver

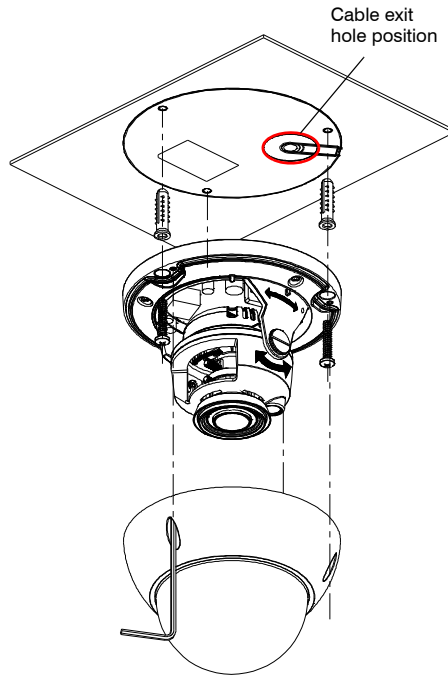
1 Preparing the Mounting Surface

1. Inspect the site where you want to install the camera. The mounting surface must be flat and capable of supporting at least three times the weight of the camera.
2. Remove the backing from the mounting template sticker and affix the sticker to the mounting surface.

Note If you are using the side exit for the cable, note the orientation of the cable exit notch. In outdoor installations the notch should point downwards to prevent water from entering the camera housing.
3. Drill three screw holes at the locations indicated on the mounting template sticker and insert the three supplied plastic anchors in the holes.
4. If you are flush mounting the camera and want to store the cables inside the wall or ceiling, drill a hole at the cable exit position on the mounting template, and then pull the power and video cables through the hole.

2 Mounting the Camera

1. Using the supplied Allen key, remove the dome cover from the camera assembly and set it aside.
2. Connect the power and video cables.
 - a. Connect the power connector of the camera to a 12 V DC power source.
 - b. Connect the BNC connector of the camera to a coaxial video cable.
3. Match the screw holes and side cable entry on the camera assembly to the corresponding locations on the mounting template.
4. Attach the camera assembly to the mounting surface using the supplied screws.



3 Aiming the Camera and Adjusting Zoom and Focus

1. Aim the camera lens in the desired direction.
2. Set the lens zoom and focus.
 - a. Loosen the locking screw on the zoom ring, move the zoom ring counterclockwise to zoom in (T), or clockwise to zoom out (W), and then tighten the locking screw.
 - b. Loosen the locking screw on the focus ring, move the focus ring counterclockwise to focus on a distant subject (F), or clockwise to focus on a nearby subject (N), and then tighten the locking screw.
3. Attach the dome cover and remove the protective film from the bubble.

Regulatory Statements

FCC Compliance

Information to the User This equipment has been tested and found to comply with the limits for a Class B digital device, pursuant to part 15 of the FCC Rules. These limits are designed to provide reasonable protection against harmful interference in a residential installation. This equipment generates, uses and can radiate radio frequency energy and, if not installed and used in accordance with the instructions, may cause harmful interference to radio communications. However, there is no guarantee that interference will not occur in a particular installation. If this equipment does cause harmful interference to radio or television reception, which can be determined by turning the equipment off and on, the user is encouraged to try to correct the interference by one or more of the following measures:

- Reorient or relocate the receiving antenna.
- Increase the separation between the equipment and receiver.
- Connect the equipment into an outlet on a circuit different from that to which the receiver is connected.
- Consult the dealer or an experienced radio/TV technician for help.

Note Changes or modifications not expressly approved by the party responsible for compliance could void the user's authority to operate the equipment.

Canadian Compliance

This Class B digital apparatus complies with Canadian ICES-003.
Cet appareil numérique de la Classe B est conforme à la norme NMB-003 du Canada.

Manufacturer's Declaration of Conformance

North America The equipment supplied with this guide conforms to UL 60950-1 and CSA C22.2 No. 60950-1.

Europe The manufacturer declares that the equipment supplied is compliant with the European Parliament and Council Directive on the restriction of the use of certain hazardous substances in electrical and electronic equipment (2011/65/EU) and the essential requirements of the EMC directive (2014/30/EU), conforming to the requirements of standards EN 55022 for emissions, EN 50130-4 for immunity, and EN 60950-1 for electrical equipment safety.

This is a Class B product. In a domestic environment this product may cause radio interference in which case the user may be required to take adequate measures.



WEEE (Waste Electrical and Electronic Equipment). Correct disposal of this product (applicable in the European Union and other European countries with separate collection systems). This product should be disposed of, at the end of its useful life, as per applicable local laws, regulations, and procedures

Honeywell

www.honeywell.com/security
+1 800 323 4576 (North America only)

<https://www.honeywellsystems.com/ss/techsupp/index.html>

Document 800-19475V1 – Rev B – 05/2016